

Panasonic®

Iris Recognition Camera System BM-ET300 Series

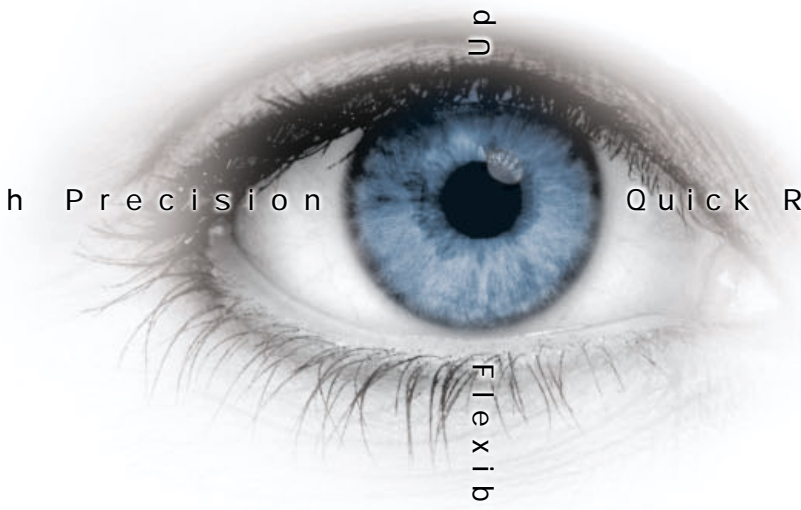


Up to 5,000 Users

High Precision

Quick Recognition

Flexible Interface

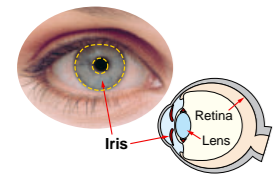


Simple, speedy iris recognition. Now with voice guidance. The new BM-ET300 Series.

Panasonic's full line-up of Iris recognition products now includes the BM-ET300 Series. The BM-ET300 combines high precision, faster iris recognition, and flexible system architecture for state-of-the-art personal identification.

High security, with false acceptance ratio as 1 in 1.2 million*

Iris recognition uses individual differences in the complex patterns found in the iris of the human eye to authenticate individual identities. Iris recognition is the most precise of all biometric identification systems. The false acceptance ratio is so low that the probability of falsely identifying one individual as another is virtually zero.

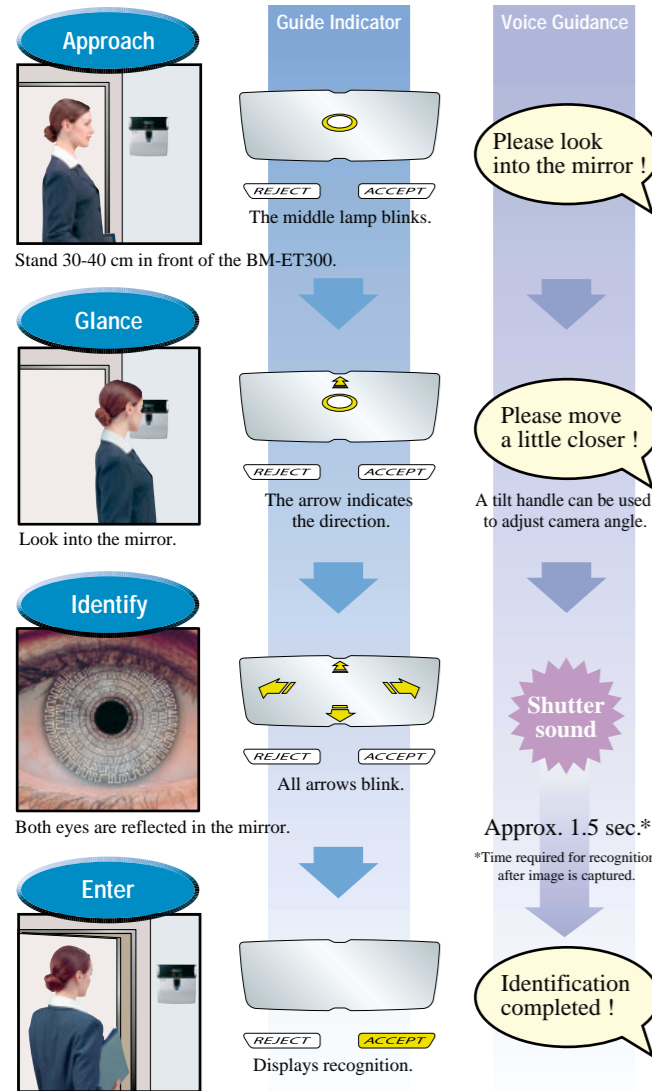


Iris Characteristics

- An extremely complex pattern that differs even between identical twins.
- Patterns stabilize between six months and two years of age and then remain unchanged for life.
- They are extremely difficult to imitate.

*"RECOGNIZING PERSONS BY THEIR IRIS PATTERNS" by John Daugman, University of Cambridge.

Guide Indicator and Voice Guidance Make Recognition Simple and Speedy



There is normally no need to remove eyeglasses or contact lenses while being recognized. (Recognition may not be possible with some types of glasses, sunglasses, or contact lenses or in certain environments.)

For iris recognition, two cameras simultaneously capture the images from both eyes.

Recognition results are displayed.

Tilt handle simplifies adjusting camera angle

This tilt handle makes it easy to optimize camera angle when capturing iris images.

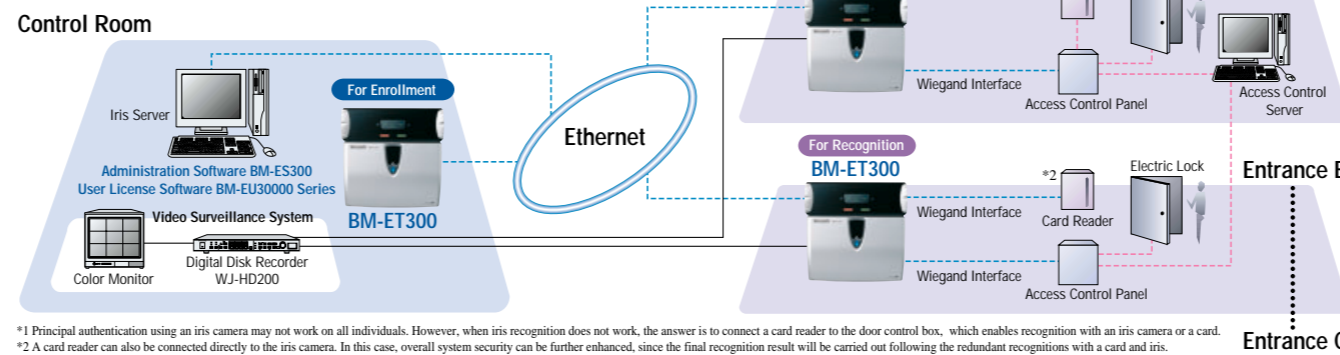


The Live Indicator displays current operating condition.

Integrated color video surveillance camera. Output may be connected to existing video surveillance system.

Can be connected to existing security system

BM-ET300 Series I/O is compatible with the standard Wiegand interface protocol for access control server, allowing the iris recognition to be integrated with existing access control panel and card reader systems.



*1 Principal authentication using an iris camera may not work on all individuals. However, when iris recognition does not work, the answer is to connect a card reader to the door control box, which enables recognition with an iris camera or a card.
*2 A card reader can also be connected directly to the iris camera. In this case, overall system security can be further enhanced, since the final recognition result will be carried out following the redundant recognitions with a card and iris.

APPLICATIONS

Offices Data Center, Material storage, safes, executive offices, secure meeting rooms	Laboratories and factories Drug or dangerous materials storage rooms, night or holiday entry control	Financial institutions Safes, safety deposit box rooms
Lifeline facilities Power generator rooms, dam management offices, gas company control rooms	Traffic control centers Expressway administration centers, railroad dispatcher rooms	Airport and harbor facilities Staff gates, Immigration, workshops
• Police • Prisons • Courts • Any and all security applications		

12-language voice guidance

Use the menu on the iris server to select English, French, German, Italian, Spanish, Portuguese, Russian, Chinese, Korean, Arabic, Turkish, or Japanese. A single iris server allows use of any language by different BM-ET300 terminals.

Select any of three audio modes

Audio Mode	Guide	Shutter Sound	Identification Result
Full	<input type="radio"/>	<input type="radio"/>	<input type="radio"/>
Simple	<input type="radio"/>	<input type="radio"/>	<input type="radio"/>
Mute	<input type="radio"/>	<input type="radio"/>	<input type="radio"/>

For systems large and small

Flexible registration software supports incremental users. User License Software; BM-EU30000 Series comes in four key sizes: for 100 users, 1,000 users, 3,000 users, or max. 5,000 users. Contact Panasonic for systems that require more than 5,000 registrants.

Easy operation and management from a iris server

All settings, registrations, updates, and information confirmation can be controlled from a PC display.

Display Examples



Designed for High Security

Encrypted registration data

Encrypting of Iris code/image data prevents unauthorized access.

Tamperproof construction

An alarm sounds if the camera is removed from the wall or the front cover is opened.

Alarm notification

System operators can be automatically warned when alarms indicate that cameras have been replaced or damaged, etc.

PRODUCT CONFIGURATION

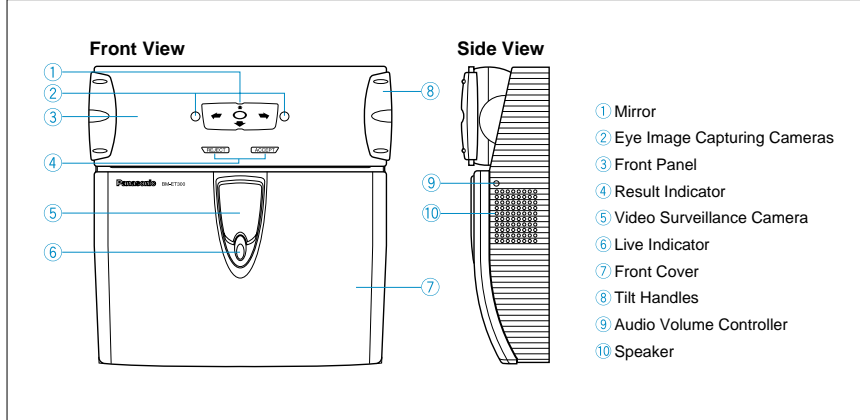
Iris Camera
BM-ET300



Administration Software
BM-ES300

User License Software
BM-EU30100 (for 100 Users)
BM-EU31000 (for 1,000 Users)
BM-EU33000 (for 3,000 Users)
BM-EU35000 (for 5,000 Users)

MAJOR OPERATING CONTROLS



SPECIFICATIONS

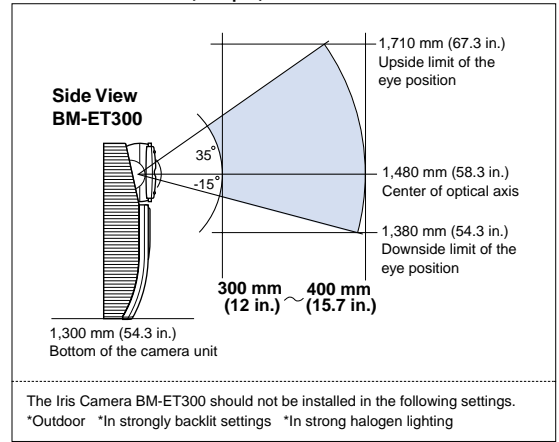
General	
User Registrations	Max. 10,000 eyes (5,000 users) / System Max. 2,000 eyes (1,000 users) / one BM-ET300
Power Source	12V DC or 24V AC
Power Consumption	12W
Ambient Operating Temperature	0°C - +40°C (32°F - 104°F)
Ambient Operating Humidity	30% - 80%
Iris Recognition Time	approx. 1.5 seconds (after image capturing)
Dimensions	212 (W) x 216 (H) x 55 (D) mm [8-3/8"(W) x 8-1/2"(H) x 2-3/16"(D)]
Weight (approx.)	2.4kg (5.3lbs.) (with the mounting bracket)
Door Control Interface	Wiegand interface
Card Reader Interface	Wiegand interface
Ethernet Port	TCP/IP (10Base-T / 100Base-TX)
Input / Output	
Wiegand Output	1 terminal (access control panel), 0/5V 24mA (Max.)
Wiegand Input	1 terminal (card reader), 0/5V 24mA (Max.)
Alarm Output	4 terminals (recognition Accept / Reject, power status, tamper detection)
Ethernet Port	1 terminal
Video Surveillance Camera	NTSC composite video signal (1V[p-p]/75 Ω) x 1
* The third-party external power-supply device should meet the following standard,	
Output Voltage	12V DC ±0.5V 24V AC ±0.5V
Output Current Capacity	DC : 0 - 1.5A, AC : 0 - 1.5A
Rated Ripple Voltage/Ripple Noise	150mV [p-p] or less
Over Current Protection	Enabled (mandatory)

- Authenticam, Private ID, and KnoWho are trademarks of Iridian Technologies, Inc., USA.
- Windows® 2000 Professional, or Windows® XP Professional are registered trademarks of Microsoft Corporation in the USA and / or other countries.
- All other trademarks are the property of their respective copyright holders.

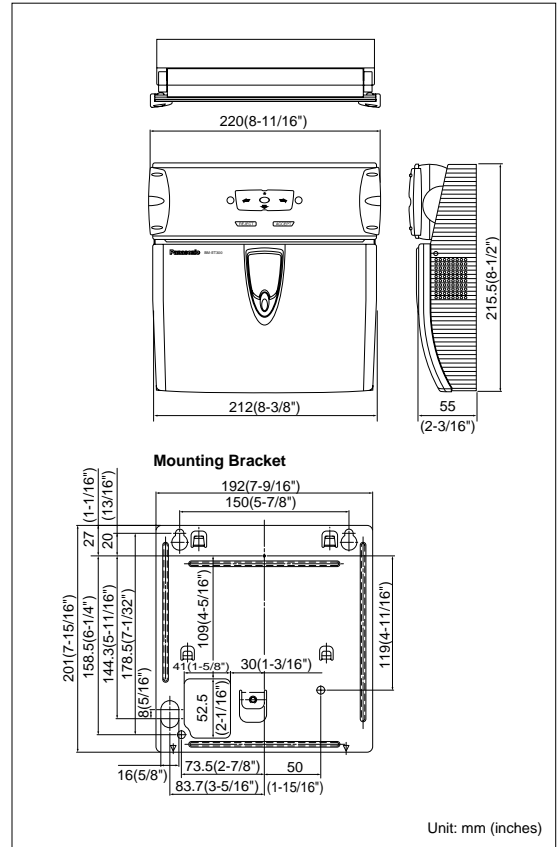


• All photographs and menu are simulated and shown for the purpose of explanation.
 • Weights and dimensions are approximate. • Specifications are subject to change without notice. • This product is subject to export control regulations.

CAPTURING RANGE (sample)



APPEARANCE



Panasonic

Panasonic Digital Communications & Security Company

Unit of Matsushita Electric Corporation of America

Security Systems Group

<http://www.panasonic.com/cctv>

Executive Office : One Panasonic Way 3E-7, Secaucus, New Jersey 07094

Zone Office

Eastern : One Panasonic Way, Secaucus, NJ 07094 (201) 348-7303

Central : 1707 N.Randal Road, Elgin, IL 60123 (847) 468-5205

Western : 6550 Katella Ave., Cypress, CA 90630 (714) 373-7840

DISTRIBUTED BY:

PANASONIC CANADA INC.

5770 Ambler Drive, Mississauga, Ontario, L4W 2T3 Canada (905) 624-5010

PANASONIC SALES COMPANY

DIVISION OF MATSUSHITA ELECTRIC OF PUERTO RICO, INC.

San Gabriel Industrial Park 65th Infantry Ave. KM. 9.5 Carolina, P.R. 00985 (809) 750-4300

Printed in Japan

BM-JHET300C(2P-508B)